



**YFS200P**

**SUPPLEMENTARY  
SERVICE MANUAL**

---

## **FOREWORD**

This Supplementary Service Manual has been prepared to introduce new service and new data for the YFS200P. For complete information on service procedures, it is necessary to use this Supplementary Service Manual together with the following manual.

**YFS200U SERVICE MANUAL: 2XJ-28197-10**  
**YFS200A SUPPLEMENTARY SERVICE MANUAL: 3JM-28197-10**

**YFS200P  
SUPPLEMENTARY  
SERVICE MANUAL**  
© 2001 by Yamaha Motor Corporation, U.S.A.  
First Edition, May 2001  
All rights reserved.  
Any reproduction or unauthorized use  
without the written permission of  
Yamaha Motor Corporation, U.S.A.  
is expressly prohibited.  
Printed in U.S.A.  
LIT-11616-15-05

---

## NOTICE

This manual was produced by the Yamaha Motor Company primarily for use by Yamaha dealers and their qualified mechanics. It is not possible to include all the knowledge of a mechanic in one manual, so it is assumed that anyone who uses this book to perform maintenance and repairs on Yamaha machine has a basic understanding of the mechanical ideas and the procedures of machine repair. Repairs attempted by anyone without this knowledge are likely to render the machine unsafe and unfit for use.

Yamaha Motor Company, Ltd. is continually striving to improve all its models. Modifications and significant changes in specifications or procedures will be forwarded to all authorized Yamaha dealers and will appear in future editions of this manual where applicable.

**NOTE:**

---

Designs and specifications are subject to change without notice.

---

## IMPORTANT INFORMATION

Particularly important information is distinguished in this manual by the following notations.



The Safety Alert Symbol means ATTENTION! BECOME ALERT! YOUR SAFETY IS INVOLVED!

**⚠ WARNING**

Failure to follow WARNING instructions could result in severe injury or death to the machine operator, a bystander or a person inspecting or repairing the machine.

**CAUTION:**

A CAUTION indicates special precautions that must be taken to avoid damage to the machine.

**NOTE:**

A NOTE provides key information to make procedures easier or clearer.

# HOW TO USE THIS MANUAL

## CONSTRUCTION OF THIS MANUAL

This manual consists of chapters for the main categories of subjects. (See “Illustrated symbols”)

- 1st title ①: This is a chapter with its symbol on the upper right of each page.
- 2nd title ②: This title appears on the upper of each page on the left of the chapter symbol. (For the chapter “Periodic inspection and adjustment” the 3rd title appears.)
- 3rd title ③: This is a final title.

## MANUAL FORMAT

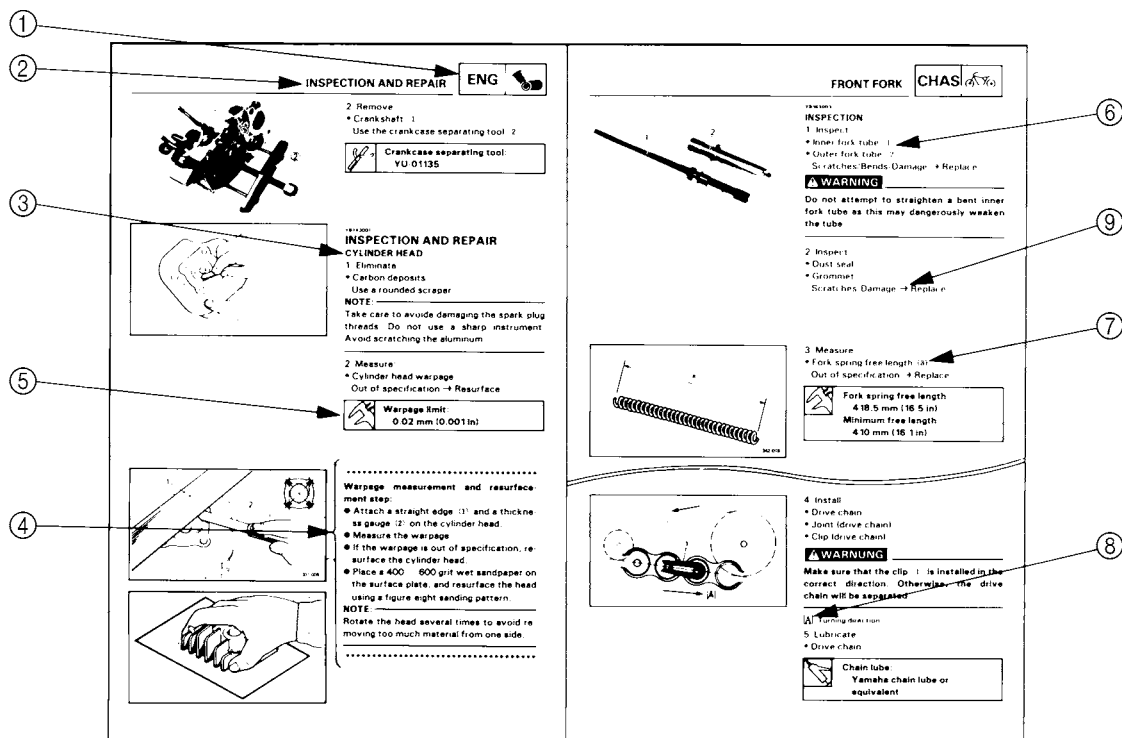
All of the procedures in this manual are organized in a sequential, step-by-step format. The information has been compiled to provide the mechanic with an easy to read, handy reference that contains comprehensive explanations of all disassembly, repair, assembly, and inspections. A set of particularly important procedure ④ is placed between a line of asterisks “\*” with each procedure preceded by “●”.

## IMPORTANT FEATURES

- Data and a special tool are framed in a box preceded by a relevant symbol ⑤.
- An encircled numeral ⑥ indicates a part name, and an encircled alphabetical letter data or an alignment mark ⑦, the others being indicated by an alphabetical letter in a box ⑧.
- A condition of a faulty component will precede an arrow symbol ⑨ and the course of action will follow it.

## EXPLODED DIAGRAM

Each chapter provides exploded diagrams before each disassembly section for ease in identifying correct disassembly and assembly procedures.



## ILLUSTRATED SYMBOLS

Illustrated symbols ① to ⑨ are printed on the top right of each page and indicate the subject of each chapter.

- ① General information
- ② Specifications
- ③ Periodic checks and adjustments
- ④ Engine
- ⑤ Carburetion
- ⑥ Drive train
- ⑦ Chassis
- ⑧ Electrical
- ⑨ Troubleshooting

Illustrated symbols ⑩ to ⑯ are used to identify the specifications appearing in the text.

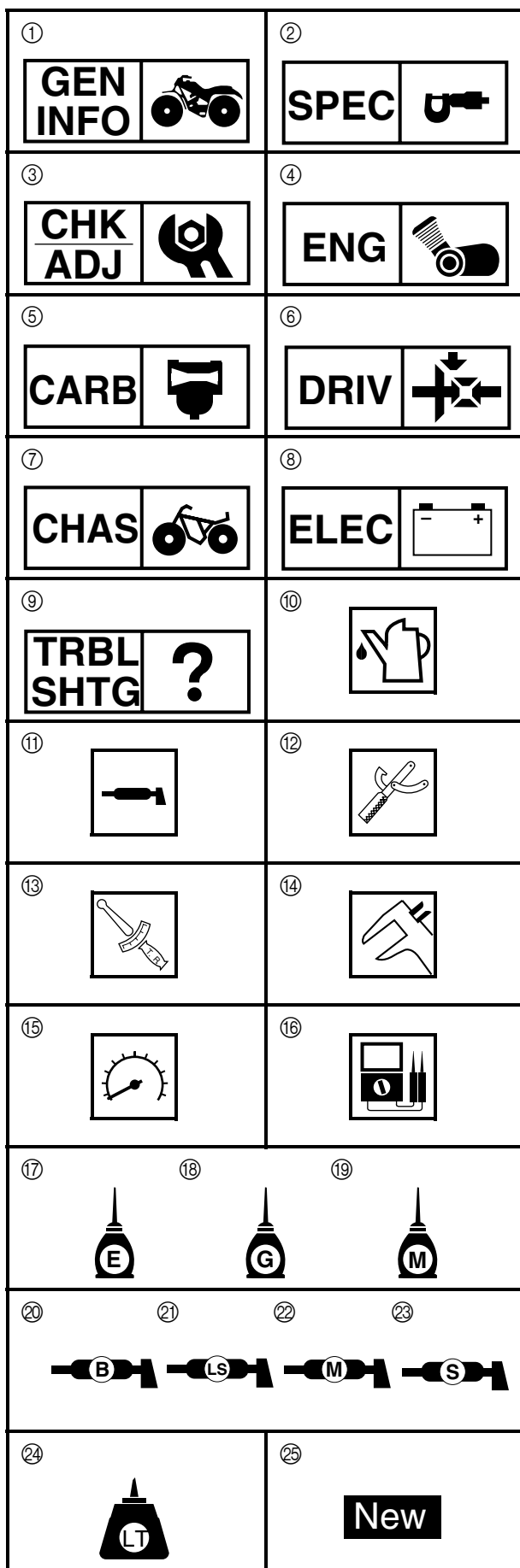
- ⑩ Filling fluid
- ⑪ Lubricant
- ⑫ Special tool
- ⑬ Torque
- ⑭ Wear limit, clearance
- ⑮ Engine speed
- ⑯  $\Omega$ , V, A

Illustrated symbols ⑰ to ⑳ in the exploded diagrams indicate the types of lubricants and lubrication points.

- ⑰ Apply engine oil
- ⑱ Apply gear oil
- ⑲ Apply molybdenum disulfide oil
- ⑳ Apply wheel bearing grease
- ㉑ Apply lightweight lithium soap base grease
- ㉒ Apply molybdenum disulfide grease
- ㉓ Apply silicon grease

Illustrated symbols ㉔ to ㉕ in the exploded diagrams indicate where to apply a locking agent ㉔ and when to install a new part ㉕.

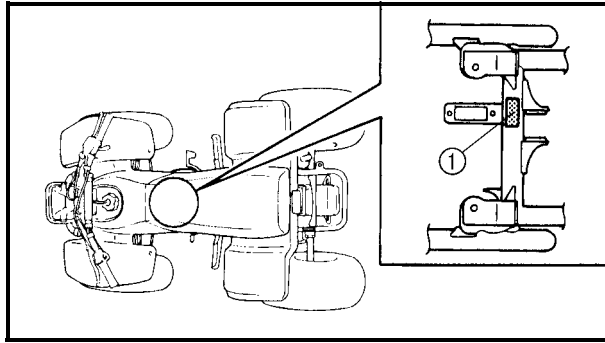
- ㉔ Apply the locking agent (LOCTITE®)
- ㉕ Replace



---

# CONTENTS

<b>GENERAL INFORMATION</b> .....	1
MACHINE IDENTIFICATION .....	1
MODEL LABEL .....	1
<b>SPECIFICATIONS</b> .....	2
GENERAL SPECIFICATIONS .....	2
MAINTENANCE SPECIFICATIONS .....	3
ENGINE.....	3
CHASSIS.....	5
ELECTRICAL .....	5
CABLE ROUTING .....	6
<b>PERIODIC CHECKS AND ADJUSTMENTS</b> .....	11
INTRODUCTION .....	11
PERIODIC MAINTENANCE/LUBRICATION INTERVALS .....	11
CHASSIS.....	12
ADJUSTING THE REAR BRAKE LIGHT SWITCH.....	12
<b>ELECTRICAL</b> .....	13
CHECKING THE SWITCH .....	13
CHECKING THE SWITCH .....	13
CHECKING A SWITCH SHOWN IN THE MANUAL .....	13
SIGNAL SYSTEM.....	14
CIRCUIT DIAGRAM.....	14
CHECKING THE SIGNAL SYSTEM .....	15
<b>YFS200P WIRING DIAGRAM</b>	



**GENERAL INFORMATION**  
**MACHINE IDENTIFICATION**

**MODEL LABEL**

The model label ① is affixed to the frame. This information will be needed to order spare parts.



## SPECIFICATIONS

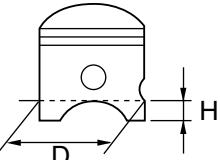
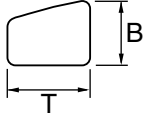
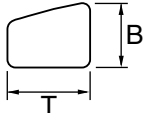
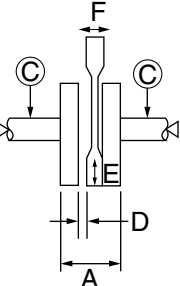
### GENERAL SPECIFICATIONS

Model	YFS200P
Model code number	5KJ7 (USA)
Spark plug: Type/manufacturer Spark plug gap	BR8ES/NGK 0.7 ~ 0.8 mm (0.028 ~ 0.031 in)
Tire: Type Size: Front  Rear	Tubeless AT21 × 7 – 10 DUNLOP KT851A CHENG SHIN C873N AT21 × 10 – 8 DUNLOP KT895A CHENG SHIN C874N
Electrical: Ignition system Generator system Headlight type Headlight bulb type Bulb wattage × quantity: Headlight Tail/brake light Indicator light "OIL LEVEL"	C.D.I. C.D.I. magneto Bulb type Incandescence  12 V 45 W/45 W × 1 12 V 5 W/21 W × 1 12 V 3.4 W × 1





**MAINTENANCE SPECIFICATIONS**  
**ENGINE**

Model	YFS200P
<p>Piston:</p> <p>Piston size "D"</p> <p>Measuring point "H"</p> <p>Piston off-set</p> <p>Piston-to-cylinder clearance &lt;Limit&gt;</p> <p>Oversize 1st</p> <p>2nd</p> 	<p>65.940 ~ 66.000 mm (2.596 ~ 2.598 in)</p> <p>10 mm (0.39 in)</p> <p>0 mm (0 in)</p> <p>0.035 ~ 0.040 mm (0.0014 ~ 0.0016 in)</p> <p>0.100 mm (0.0039 in)</p> <p>66.25 mm (2.608 in)</p> <p>66.50 mm (2.618 in)</p>
<p>Piston ring:</p> <p>Sectional sketch</p> <p>Top ring</p>  <p>2nd ring</p>  <p>End gap (Installed)</p> <p>Top ring</p> <p>2nd ring</p> <p>Side clearance</p> <p>Top ring</p> <p>2nd ring</p>	<p>Keystone</p> <p>B = 1.2 mm (0.047 in)</p> <p>T = 2.8 mm (0.110 in)</p> <p>Keystone</p> <p>B = 1.2 mm (0.047 in)</p> <p>T = 2.8 mm (0.110 in)</p> <p>0.20 ~ 0.40 mm (0.008 ~ 0.016 in)</p> <p>0.20 ~ 0.40 mm (0.008 ~ 0.016 in)</p> <p>0.03 ~ 0.05 mm (0.0012 ~ 0.0020 in)</p> <p>0.03 ~ 0.05 mm (0.0012 ~ 0.0020 in)</p>
<p>Crankshaft:</p> <p>Crank width "A"</p> <p>&lt;Runout limit "C"&gt;</p> <p>Big end side clearance "D"</p> <p>Big end radial clearance "E"</p> <p>Small end free play "F"</p> 	<p>57.90 ~ 57.95 mm (2.280 ~ 2.281 in)</p> <p>&lt;0.03 mm (0.0012 in)&gt;</p> <p>0.2 ~ 0.7 mm (0.008 ~ 0.028 in)</p> <p>0.021 ~ 0.035 mm (0.0008 ~ 0.0014 in)</p> <p>0.8 ~ 1.0 mm (0.031 ~ 0.039 in)</p>
<p>Clutch:</p> <p>Friction plate thickness/quantity &lt;Wear limit&gt;</p> <p>Clutch plate thickness/quantity &lt;Warp limit&gt;</p> <p>Clutch spring free length/quantity</p> <p>Clutch spring minimum length</p> <p>Clutch housing radial clearance</p> <p>Clutch release method</p> <p>&lt;Push rod bending limit&gt;</p>	<p>2.92 ~ 3.08 mm (0.115 ~ 0.121 in)/7 pcs. &lt;2.8 mm (0.110 in)&gt;</p> <p>1.05 ~ 1.35 mm (0.041 ~ 0.053 in)/6 pcs. &lt;0.05 mm (0.002 in)&gt;</p> <p>34.5 mm (1.36 in)/5 pcs.</p> <p>30.0 mm (1.18 in)</p> <p>0.015 ~ 0.049 mm (0.0006 ~ 0.0019 in)</p> <p>Inner push, cam push</p> <p>&lt;0.15 mm (0.006 in)&gt;</p>



Model	YFS200P
Air filter oil grade	Yamalube 2 or air cooled 2-stroke engine oil
Carburetor:	
I.D. mark	2XJ01
Main jet (M.J.)	#230
Main air jet (M.A.J.)	ø0.7
Jet needle-clip position (J.N.)	5J22-2
Needle jet (N.J.)	P-6 (#345)
Cutaway (C.A.)	2.0
Pilot outlet (P.O.)	0.6
Pilot jet (P.J.)	#32.5
Bypass 1 (B.P.1.)	0.8 × 3.75
Valve seat size (V.S.)	ø2.8
Starter jet (G.S.)	#45
Float height (F.H.)	20.5 ~ 21.5 mm (0.81 ~ 0.85 in)
Fuel level (F.L.)	0.5 ~ 1.5 mm (0.02 ~ 0.06 in)
Engine idling speed	1,450 ~ 1,550 r/min



**CHASSIS**

Model	YFS200P	
Rear suspension:		
Shock absorber travel	80 mm (3.15 in)	
Spring free length	248 mm (9.76 in)	
Spring rate	K1	44.1 N/mm (4.50 kg/mm, 252.0 lb/in)
	K2	83.4 N/mm (8.50 kg/mm, 476.0 lb/in)
Stroke	K1	0 ~ 58.0 mm (0 ~ 2.28 in)
	K2	58.0 ~ 105.0 mm (2.28 ~ 4.13 in)
Optional spring	No.	
Brake lever:		
Brake lever free play	3 ~ 5 mm (0.12 ~ 0.20 in) at lever pivot	
Clutch lever:		
Clutch lever free play	2 ~ 3 mm (0.08 ~ 0.12 in) at lever pivot	

**Tightening torque**

Parts to be tightened	Thread size	Tightening torque			Remarks
		Nm	m · kg	ft · lb	
Front arm (lower and upper) and frame	M10 × 1.25	32	3.2	23	
Steering knuckle and ball joint (front lower arm)	M10 × 1.25	25	2.5	18	
Steering knuckle and ball joint (front upper arm)	M10 × 1.25	48	4.8	35	
Footrest	M10 × 1.25	64	6.4	46	
Rear bumper	M8 × 1.25	23	2.3	17	

**ELECTRICAL**

Model	YFS200P
Ignition coil:	
Model/manufacture	2JN/YAMAHA
Minimum spark gap	6 mm (0.24 in)
Primary coil resistance	0.18 ~ 0.28 Ω at 20 °C (68 °F)
Secondary coil resistance	6.32 ~ 9.48 kΩ at 20 °C (68 °F)
Spark plug cap:	
Type	Resin type
Resistance	5 kΩ

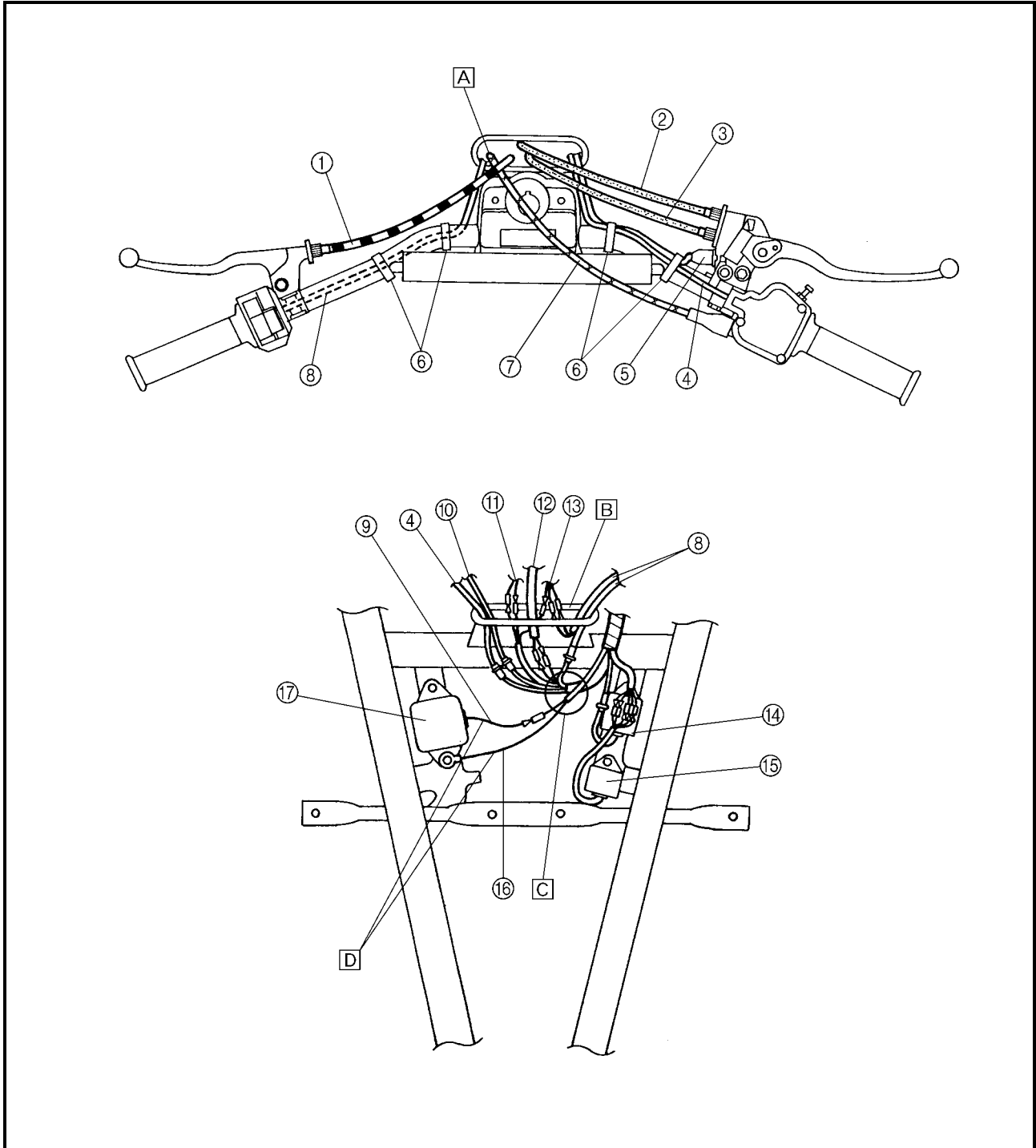


**CABLE ROUTING**

- ① Clutch cable
- ② Parking brake cable
- ③ Front brake cable
- ④ Throttle switch lead
- ⑤ Front brake light switch
- ⑥ Band
- ⑦ Throttle cable
- ⑧ Handlebar switch lead (left)
- ⑨ Voltage regulator lead
- ⑩ Front brake light switch lead

- ⑪ Oil indicator light lead
- ⑫ Main switch lead
- ⑬ Headlight lead
- ⑭ Control unit
- ⑮ CDI unit
- ⑯ Ground lead
- ⑰ Voltage regulator

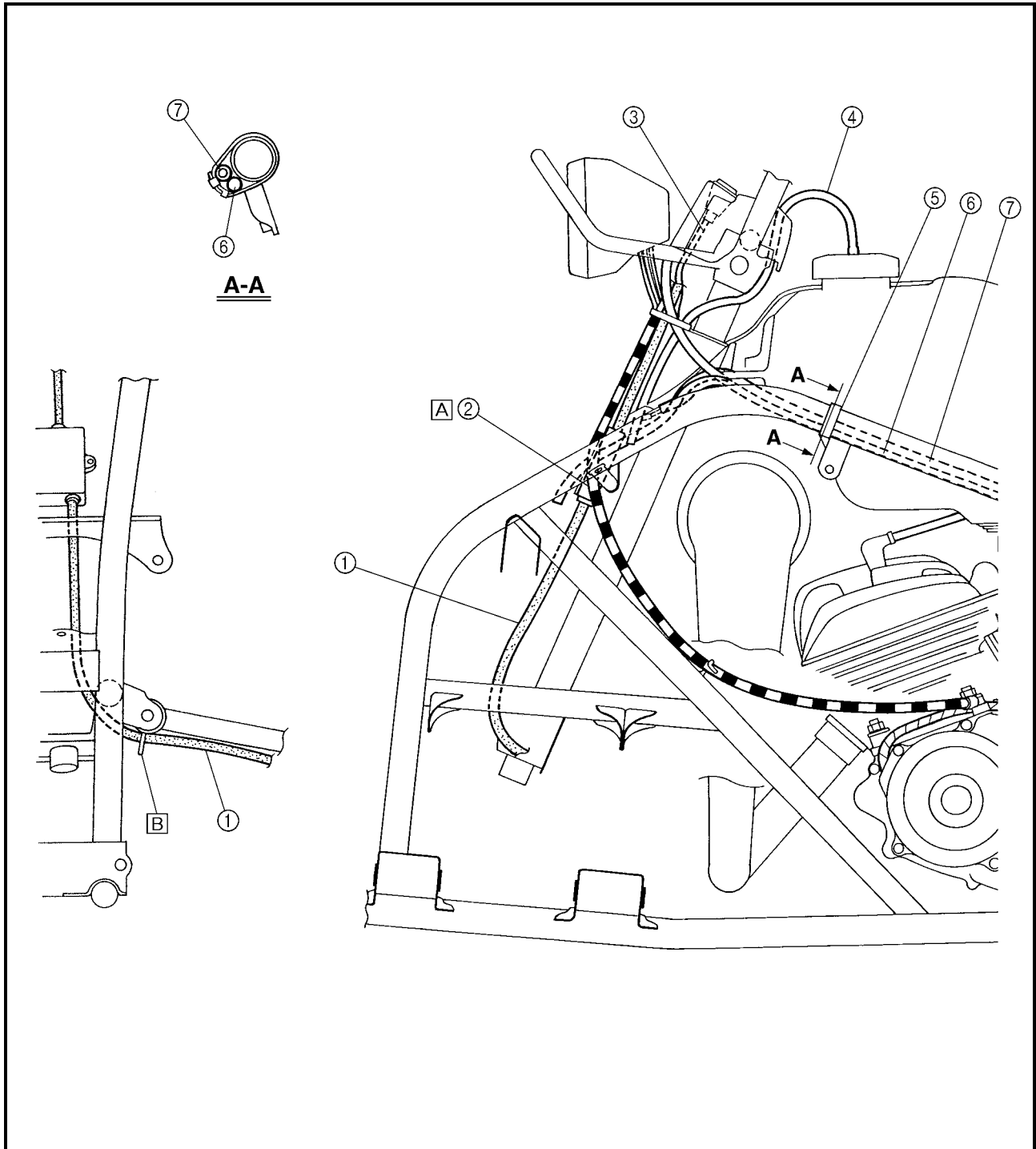
- Ⓐ The throttle cable should be routed behind the clutch cable, and on the left side of the guide.
- Ⓑ Route all leads behind the cables and through the cable guide.
- Ⓒ Route all leads toward the CDI unit side.
- Ⓓ The ground and voltage regulator leads should be routed in front of the cables.





- ① Front brake cable
- ② Clutch cable
- ③ Main switch lead
- ④ Fuel breather hose
- ⑤ Band
- ⑥ Wire harness
- ⑦ Crankcase ventilation hose

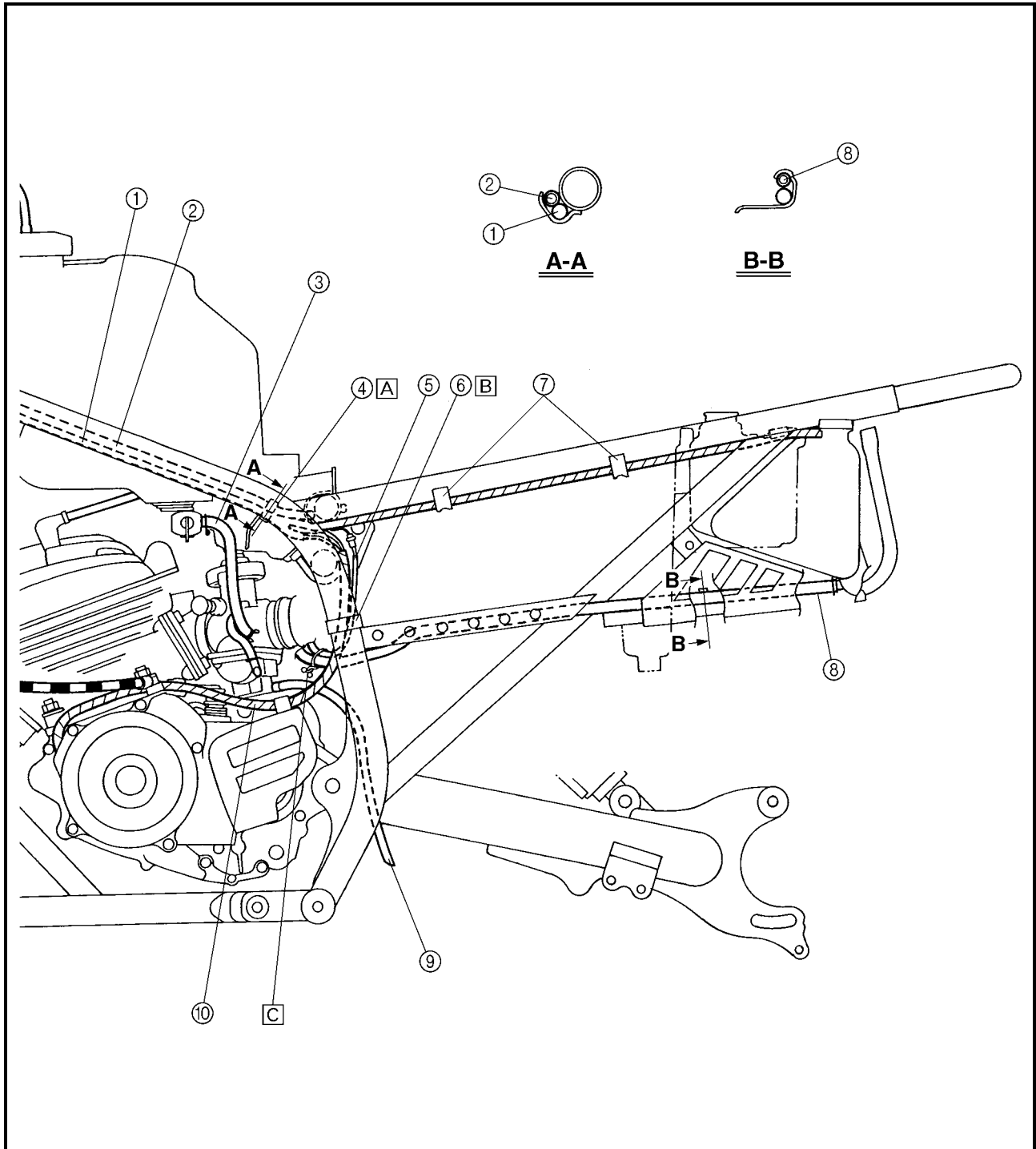
- A Route the clutch cable in front of the fender stay.
- B Route the front brake cable through the cable guide, behind the front shock absorber, and above the tie rod.





- ① Wire harness
- ② Crankcase ventilation hose
- ③ Fuel hose
- ④ Wire holder
- ⑤ Rear brake light switch
- ⑥ Band
- ⑦ Clamp
- ⑧ Oil hose
- ⑨ Carburetor overflow hose
- ⑩ Flywheel magneto lead

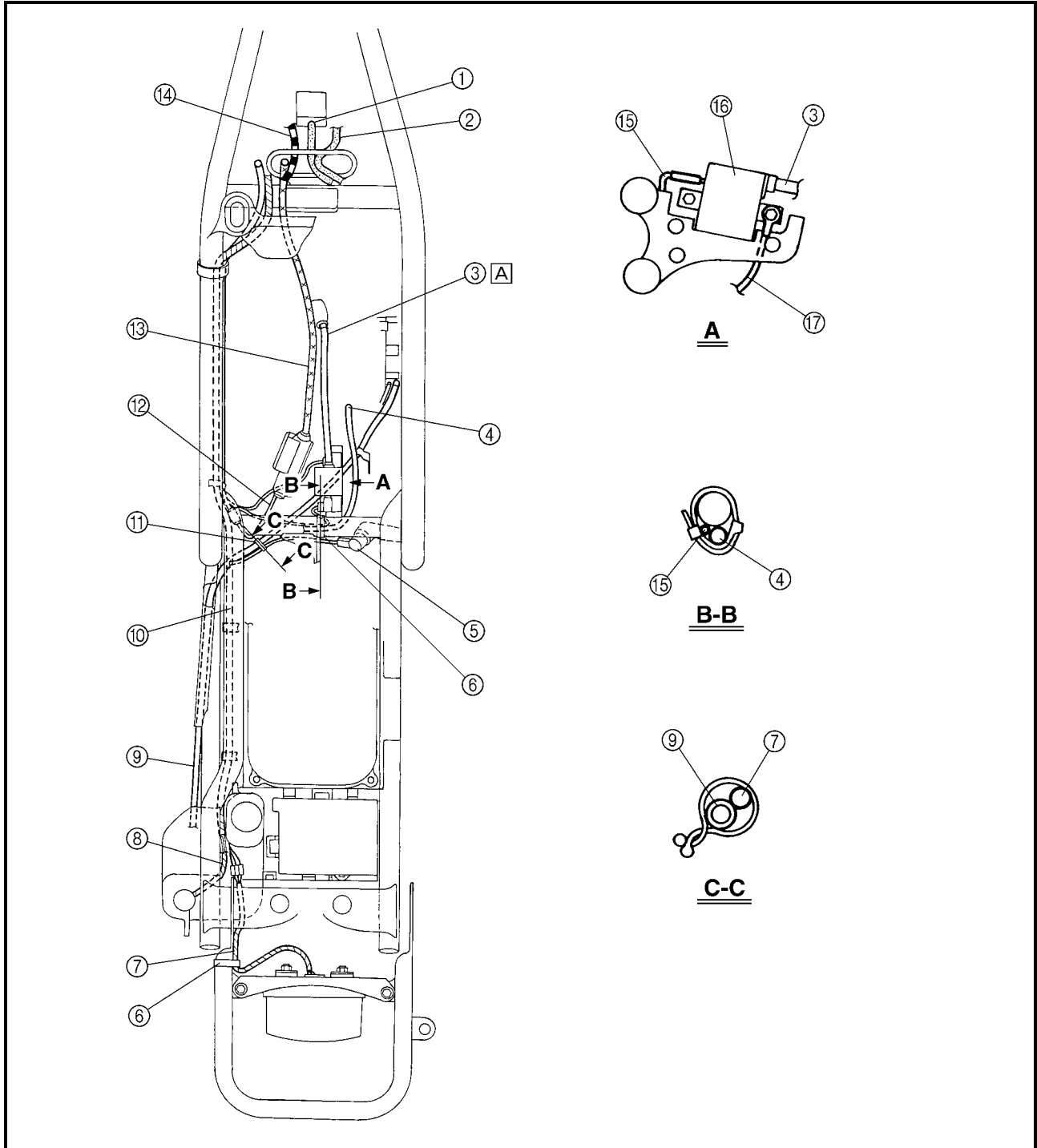
- A** For installing the wire harness, align the positioning tape with the wire holder.
- B** The leads should be clamped on the inward half of the frame pipe.
- C** Clamp the oil hose and rear brake light switch lead with the plastic clamp.





- ① Front brake cable
- ② Parking brake cable
- ③ Spark plug lead
- ④ Crankcase ventilation hose
- ⑤ Rear brake light switch
- ⑥ Band
- ⑦ Tail/brake light lead
- ⑧ Oil level gauge lead
- ⑨ Oil hose
- ⑩ Wire harness
- ⑪ Clamp
- ⑫ Throttle switch lead
- ⑬ Throttle cable
- ⑭ Clutch cable
- ⑮ Ignition coil lead
- ⑯ Ignition coil
- ⑰ Ground lead

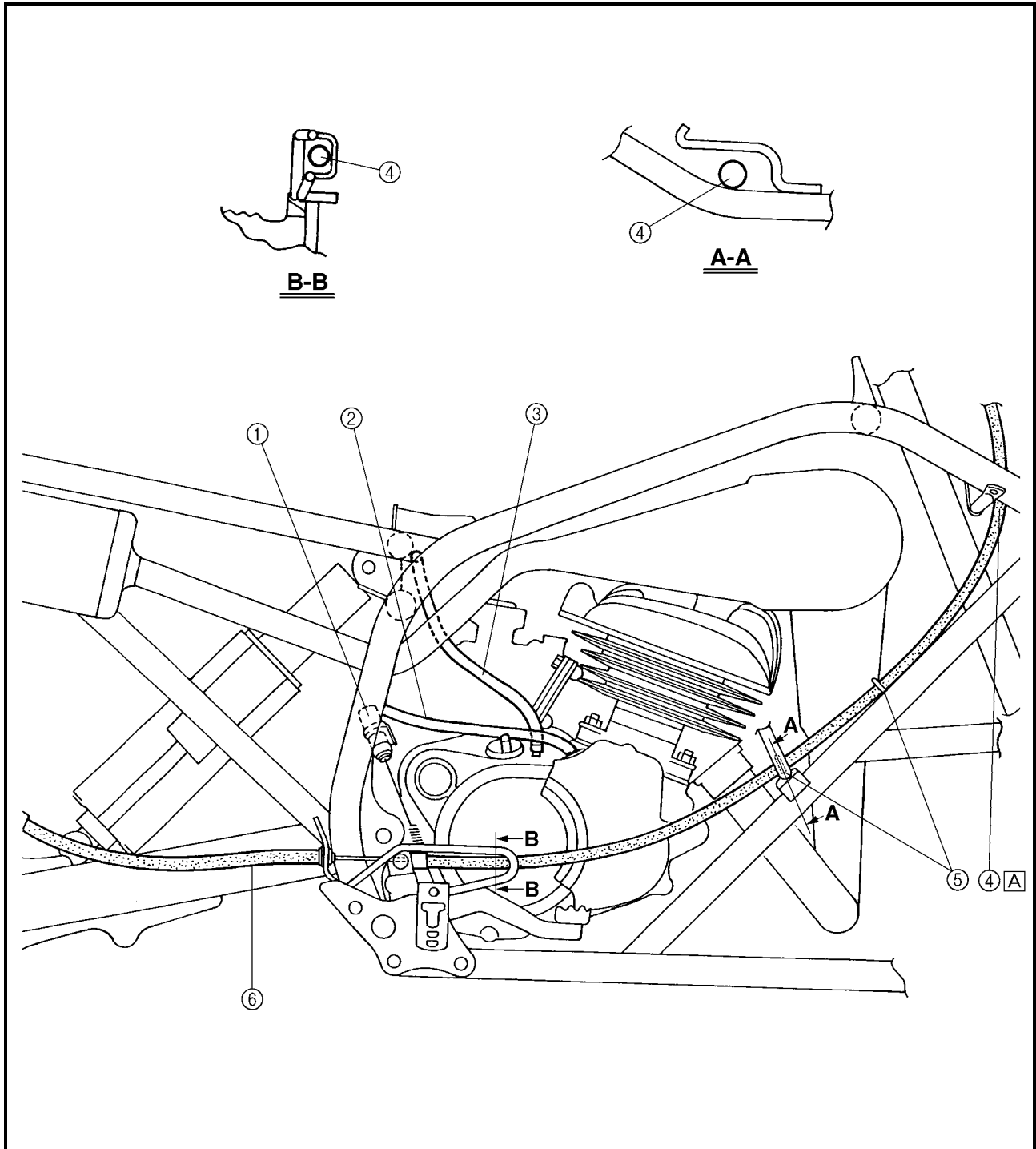
Ⓐ Place the slack of the spark plug lead toward the left side of the frame.





- ① Rear brake light switch
- ② Oil hose
- ③ Crankcase ventilation hose
- ④ Parking brake cable
- ⑤ Cable guide
- ⑥ Rear brake cable

Ⓐ Route the parking brake cable in front of the fender stay.





EB300000

## PERIODIC CHECKS AND ADJUSTMENTS

### INTRODUCTION

This chapter includes all information necessary to perform recommended inspections and adjustments. These preventive maintenance procedures, if followed, will ensure more reliable vehicle operation and a longer service life. The need for costly overhaul work will be greatly reduced. This information applies to vehicles already in service as well as to new vehicles that are being prepared for sale. All service technicians should be familiar with this entire chapter.

EB301000

### PERIODIC MAINTENANCE/LUBRICATION INTERVALS

Item	Routine	Initial			Every	
		1 month	3 months	6 months	6 months	1 year
<b>Transmission</b>	• Replace oil.	○		○	○	○
<b>Spark plug</b>	• Check condition. • Adjust gap and clean. • Replace if necessary.	○	○	○	○	○
<b>Air filter</b>	• Clean. • Replace if necessary.	Every 20 ~ 40 hours. (More often in wet or dusty areas)				
<b>* Carburetor</b>	• Check idle speed / starter operation. • Adjust if necessary.		○	○	○	○
<b>* Crankcase breather system</b>	• Check breather hose for cracks or damage. • Replace if necessary.			○	○	○
<b>* Exhaust system</b>	• Check for leakage. • Retighten if necessary. • Replace gasket if necessary.			○	○	○
<b>Spark arrester</b>	• Clean.			○	○	○
<b>* Fuel line</b>	• Check fuel hose for cracks or damage. • Replace if necessary.			○	○	○
<b>Throttle operation</b>	• Inspect and adjust free play if necessary.	○	○	○	○	○
<b>Front brake operation</b>	• Inspect and adjust free play if necessary.	○	○	○	○	○
<b>* Front brake shoes</b>	• Check wear limit. • Replace if necessary.			○	○	○
<b>* Rear brake pads</b>	• Check pad wear. • Replace if necessary.			○	○	○
<b>* Clutch</b>	• Inspect free play and operation. • Replace if necessary.	○		○	○	○
<b>Drive chain</b>	• Lubricate, check free play and alignment. • Replace if necessary.	○		○	○	○
<b>* Drive chain guard and rollers</b>	• Check wear and replace if necessary.			○	○	○
<b>* Steering system</b>	• Inspect free play, clean and lubricate.**	○	○	○	○	○
<b>* Front and rear suspension</b>	• Inspect and lubricate.**	○	○	○	○	○
<b>Tire, wheels</b>	• Inspect air pressure, wheel runout, and tire wear. • *Inspect bearings. • *Replace bearings if necessary.	○	○	○	○	○
<b>Throttle, control cable</b>	• Check routing and connection. • *Lubricate.	○	○	○	○	○
<b>Outside nuts and bolts</b>	• Retighten.	○	○	○	○	○
<b>Frame</b>	• Clean and inspect.		○	○	○	○
<b>Lighting equipment</b>	• Inspect.	○	○	○	○	○

\* It is recommended that these items be serviced by a Yamaha dealer.

\*\* Lithium-soap-based grease

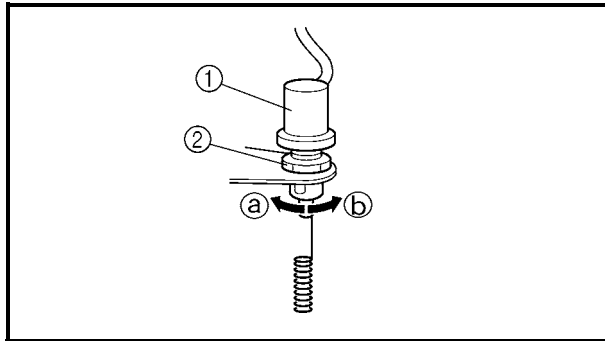
## CHASSIS

### ADJUSTING THE REAR BRAKE LIGHT SWITCH

**NOTE:**

The rear brake light switch is operated by movement of the brake pedal.

The rear brake light switch is properly adjusted when the brake light comes on just before the braking effect starts.



1. Check:

- Rear brake light operation timing  
Incorrect → Adjust.

2. Adjust:

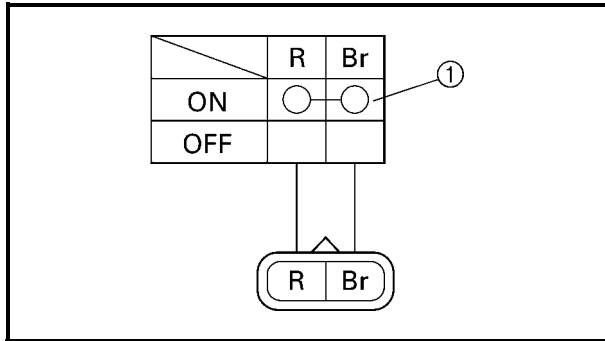
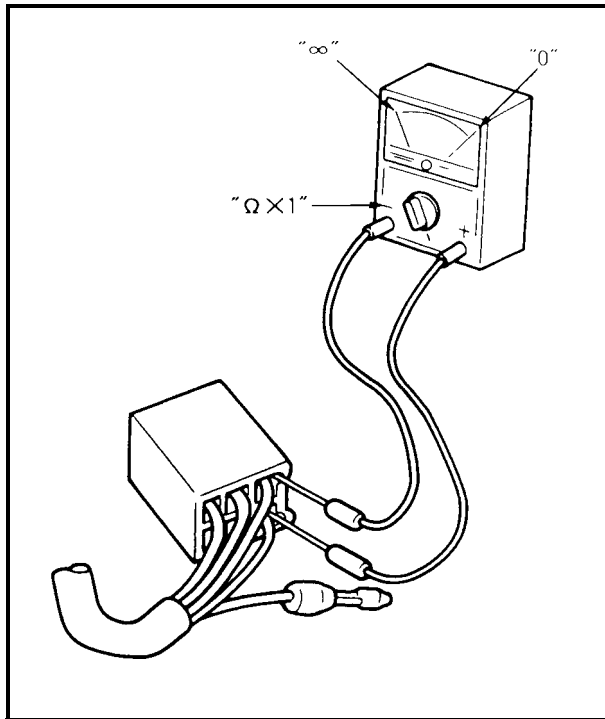
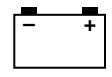
- Rear brake light operation timing

\*\*\*\*\*

- Hold the main body ① of the rear brake light switch so that it does not rotate and turn the adjusting nut ② in direction ③ or ④ until the rear brake light comes on at the proper time.

<b>Direction ③</b>	<b>Brake light comes on sooner.</b>
<b>Direction ④</b>	<b>Brake light comes on later.</b>

\*\*\*\*\*



## ELECTRICAL

### CHECKING THE SWITCH

#### CHECKING THE SWITCH

Use a pocket tester to check the terminals for continuity. If the continuity is faulty at any point, replace the switch.



**Pocket tester:**

**P/N. YU-03112, 90890-03112**

#### NOTE:

- Set the pocket tester to “0” before starting the test.
- The pocket tester should be set to the “ $\Omega \times 1$ ” range when testing the switch for continuity.
- Turn the switch on and off a few times when checking it.

#### CHECKING A SWITCH SHOWN IN THE MANUAL

The terminal connections for switches (main switch, handlebar switch, engine stop switch, light switch, etc.) are shown in a chart similar to the one on the left.

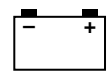
This chart shows the switch positions in the column and the switch lead colors in the top row.

For each switch position, “○—○” indicates the terminals with continuity.

**The example chart shows that:**

- ① There is continuity between the “Red and Brown” leads when the switch is set to “ON”.



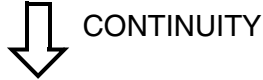


**CHECKING THE SIGNAL SYSTEM**

1.If the tail/brake light fails to come on:

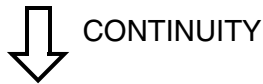
1.Bulb and bulb socket

- Check the bulb and bulb socket for continuity.



2.Brake light switches

Refer to "CHECKING THE SWITCH".



3.Voltage

- Connect the tachometer to the spark plug lead.
- Connect the pocket tester (DC 20V) to the bulb socket connector.

**Tester (+) lead** → **Yellow terminal** ①  
**Tester (-) lead** → **Black terminal** ②

NO CONTINUITY

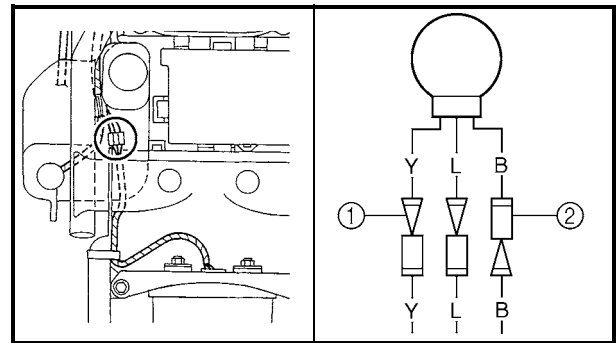


Replace the bulb and/or bulb socket.

NO CONTINUITY



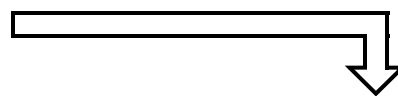
Replace the brake switch.



- Start the engine and accelerate to about 5,000 r/min.

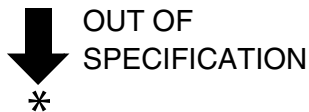
**CAUTION:** \_\_\_\_\_  
**Do not run the engine in neutral above 6,000 r/min for more than 1 or 2 seconds.**

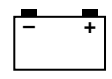
MEETS SPECIFICATION



The lighting circuit is not faulty.

**Lighting voltage:**  
 13.5 ~ 14.1 V at 5,000 r/min





**4. Lighting coil resistance**

- Disconnect the CDI magneto leads (Yellow/Red and Black).
- Connect the pocket tester ( $\Omega \times 1$ ) to the lighting coil leads.

**Tester (+) lead → Yellow/Red lead ①**  
**Tester (-) lead → Black lead ②**

- Measure the lighting coil resistance.

**Lighting coil resistance:**  
**0.16 ~ 0.24  $\Omega$  at 20 °C (68 °F)**

MEETS SPECIFICATION

**5. Wiring connections**

- Check the connections of the entire lighting system. Refer to "CIRCUIT DIAGRAM".

CORRECT

Replace the voltage regulator.

OUT OF SPECIFICATION

Replace the stator assembly.

POOR CONNECTION

Properly connect the lighting system.

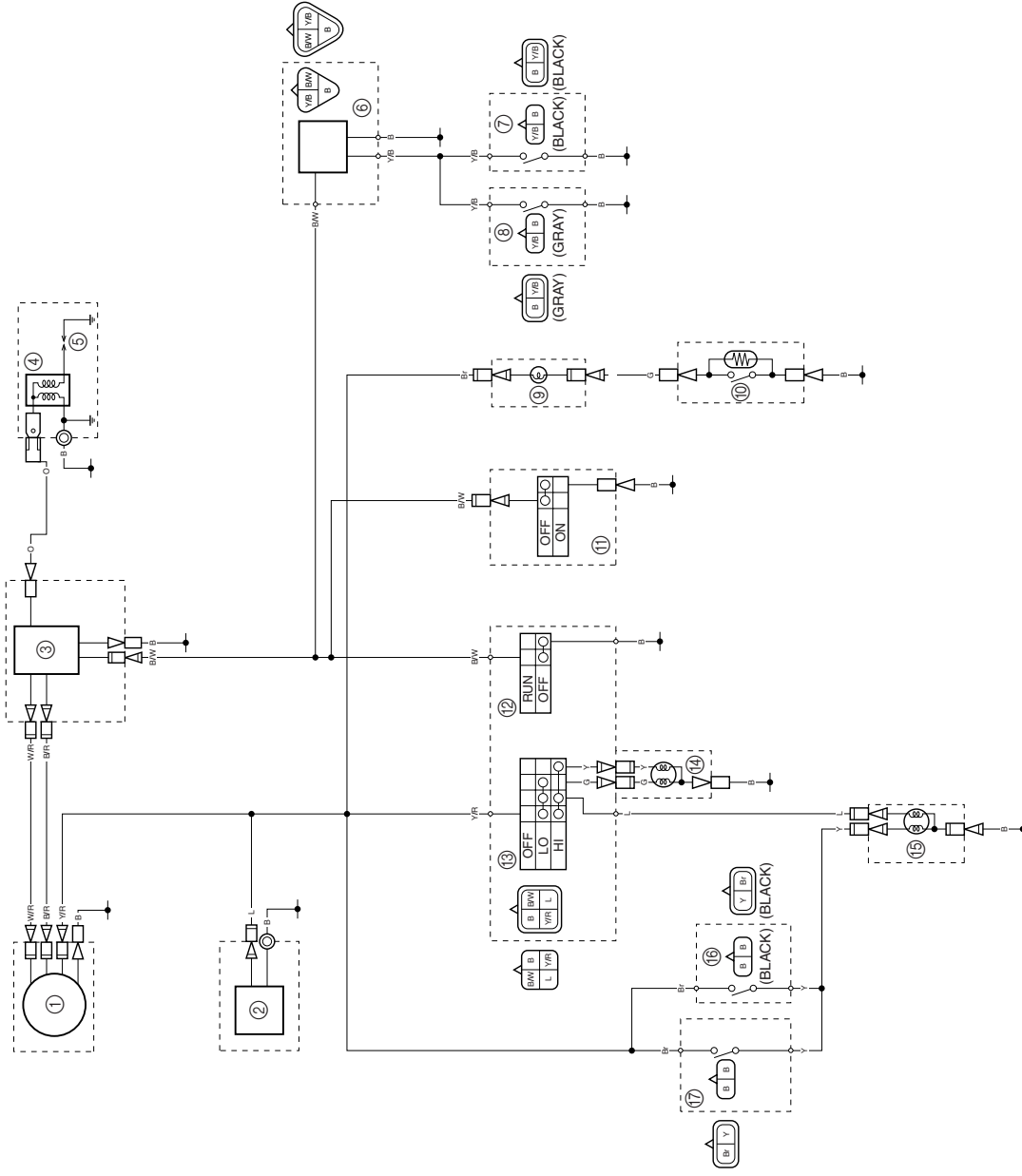


YAMAHA MOTOR CO., LTD.  
2500 SHINGAI IWATA SHIZUOKA JAPAN

PRINTED IN U.S.A.

# YFS200P WIRING DIAGRAM

- ① CDI magneto
- ② Voltage regulator
- ③ CDI unit
- ④ Ignition coil
- ⑤ Spark plug
- ⑥ Control unit
- ⑦ Throttle switch
- ⑧ Carburetor switch
- ⑨ Oil indicator light
- ⑩ Oil level gauge
- ⑪ Main switch
- ⑫ Engine stop switch
- ⑬ Lights switch
- ⑭ Headlight
- ⑮ Tail/brake light
- ⑯ Rear brake light switch
- ⑰ Front brake light switch



**COLOR CODE**

B	.....	Black
Br	.....	Brown
G	.....	Green
L	.....	Blue
O	.....	Orange
Y	.....	Yellow

B/R	.....	Black/Red
B/W	.....	Black/White
W/R	.....	White/Red
Y/B	.....	Yellow/Black
Y/R	.....	Yellow/Red